



SEBO ET-C Power Head



ENGLISH

For Household Use Only

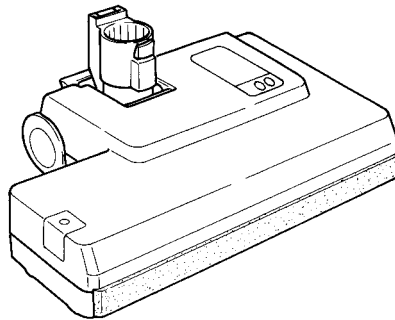
© Copyright SEBO America, LLC • All rights reserved.



SEBO ET-C Power Head Owner's Manual

Table of Contents

Technical Details.....	2
Important Safety Instructions	3
Special SEBO Product Features	4
Identification of Parts	5
Attaching the Power Head to the Telescopic Tube	5
Operating Instructions	6
Starting the Machine	6
Operating the Machine	6
The Brush Information Display Panel	7
The Brush Control Lights	7
Maintenance	8
Changing the Brush Strip	8
Cleaning the Brush Strip	8
Clog Removal	8
Clogs in the Swivel Neck	8
Trouble-Shooting Guide	9
ET-C Power Head Schematic and Part Numbers	10
Recommended SEBO <i>duo</i> Carpet Cleaning System	11
Warranty.....	12
How To Contact SEBO.....	12



Technical Details

Brush motor	150 Watts, 1.4 Amps
Width	14 in.
Weight	6.0 lbs.
Brush width	12 in.
Brush strip	Replaceable
Brush drive	Toothed belt with electronic overload protection



IMPORTANT SAFETY INSTRUCTIONS

READ ALL INSTRUCTIONS BEFORE USING THIS MACHINE

SAVE THESE INSTRUCTIONS.

WARNING: To reduce the risk of fire, electric shock, or injury:

1. Do not leave vacuum while plugged in. Unplug from outlet when not in use and before servicing.
2. Do not use outdoors or on wet surfaces.
3. Do not use near small children or pets. Do not allow to be used as a toy. Use of this product by children should always be supervised by an adult.
4. Use only as described in this manual. Use only manufacturer-recommended attachments.
5. Do not use with a damaged cord or plug. If vacuum is not working as it should, has been dropped, damaged, left out-doors, or dropped into water, take it to a SEBO service center.
6. Do not pull or carry by cord, use cord as a handle, close a door on cord, or pull cord around sharp edges or corners. Do not run vacuum over cord. Keep cord away from heated surfaces.
7. Do not unplug by pulling on cord. To unplug, grasp the plug – not the cord.
8. Do not plug in if switch is in the "I" (ON) position.
9. Do not use outlets above counters to plug in vacuum – damage to items in the surrounding area could occur.
10. Always carry the vacuum over steps and sills.
11. Do not handle plug or vacuum handle with wet hands.
12. Do not put any object into vacuum openings. Do not use machine with any openings blocked. Keep openings free of lint, hair, and anything that may reduce air flow.
13. Do not re-use filter (dust) bags or wash the filters.
14. Do not remove any screws from vacuum.
15. Do not vacuum up anything that is burning or smoking, such as cigarettes, matches, or hot ashes.
16. Do not use vacuum without dust bag and/or filters in place.
17. Turn off all machine controls before unplugging.
18. Use extra care when cleaning on stairs.
19. Do not use machine to vacuum up flammable or combustible liquids such as gasoline or use in areas where they may be present.
20. Machines can cause a fire when operated near flammable vapors or materials. Do not operate this vacuum near flammable fluids, dust or vapors.
21. Maintenance and repairs must be done by qualified personnel.
22. Use only original SEBO replacement parts.
23. Do not use vacuum as a step.
24. Do not leave machine standing in one place with machine turned on.
25. While the vacuum is in use, the power cord should be unwound from the cable reel at least two thirds of its length. Hold plug when rewinding onto the cord reel. Do not allow plug to whip while rewinding.
26. Keep hair, loose clothing, fingers, and all parts of body away from vacuum openings and moving parts. Do not place fingers or other body parts under vacuum unless it is unplugged.
27. Do not place the power head over rug edges or fringe.
28. The vacuum has a manual reset thermal protector. The protector is reset by switching off the vacuum. The thermal protector needs some time to cool down after switching off! Check the vacuum for air blockages or mechanical failures before switching on.
29. Store the vacuum in a dry place at room temperature. When the vacuum is not in use, the cord should be wound on the cord reel.
30. Any other servicing should be performed by an authorized service representative.
31. The hose contains electrical wires. Do not use if damaged, cut, or punctured. Avoid picking up sharp objects.
32. Always unplug vacuum before connecting or disconnecting either hose or power head.
33. Use this power head only in combination with a SEBO vacuum cleaner.
34. Do not connect power head to a malfunctioning or damaged vacuum.



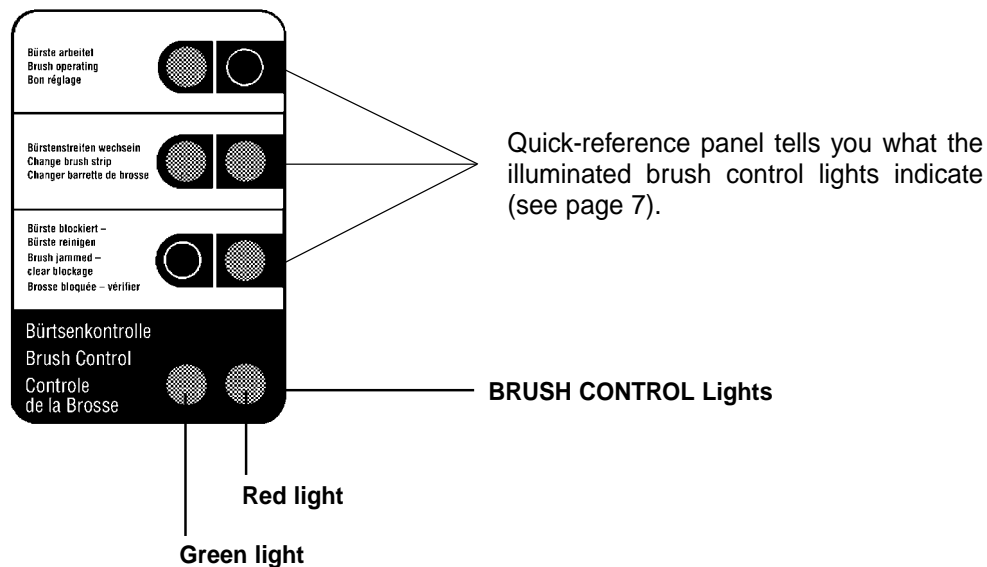
SPECIAL SEBO PRODUCT FEATURES

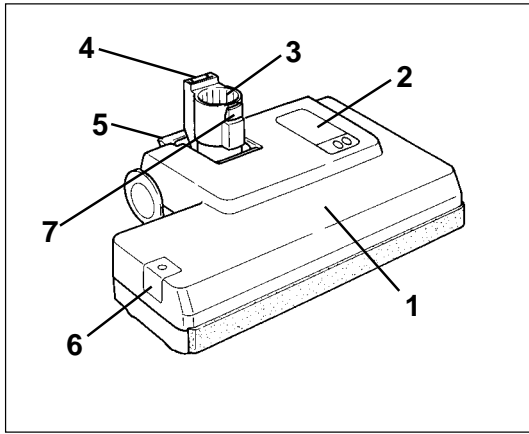
Your SEBO ET-C Power Head is designed specifically for use with the SEBO C3.1 and K3 canister vacuum cleaners. These vacuums are among the most technically advanced canister vacuum cleaners in the world. For example, the ET-C Power Head has warning systems and automatic shut-off capabilities that are designed to alert the user to machine problems that, if ignored, will damage the machine or diminish performance.

Your SEBO ET-C Power Head's most unique features are:

1. **Deep Cleaning.** SEBO power heads offer deep cleaning of your carpets only a thorough brushing can give.
2. **Wider L-shaped Head.** The wider head allows for optimal cleaning and maneuverability around furniture and under cabinets, and the extension side of the head cleans and brushes right to the edge.
3. **Brush Strip instead of a Brush Roller.** The brush strip for the ET-C slides in and out for fast and easy replacement.
4. **Brush Information Panel.** Located on the top of the power head is a brush information panel with two lights and a quick-reference area that will tell you what the illuminated lights indicate.
5. **Electronic Overload Protection.** If the brush is jammed, the red "BRUSH CONTROL" light will illuminate and the vacuum will automatically shut off.
6. **Brush Deterioration Warning.** The red AND green "BRUSH CONTROL" lights will illuminate (after a 10 second delay) to notify the user that the brush strip is too worn and, therefore, should be replaced. The lights will remain illuminated until the worn brush strip is replaced, but the machine will continue to operate in the meantime. Both lights may also illuminate if the brush doesn't find enough resistance; for example, when the power head is lifted from the floor or is used on hard floors.
7. **Stationary Use.** When the machine has its handle in the upright-locked position, it is designed to shut off the brush roller. Both brush control lights will be off. An operating power head should not stand stationary on the floor for inappropriate periods of time.

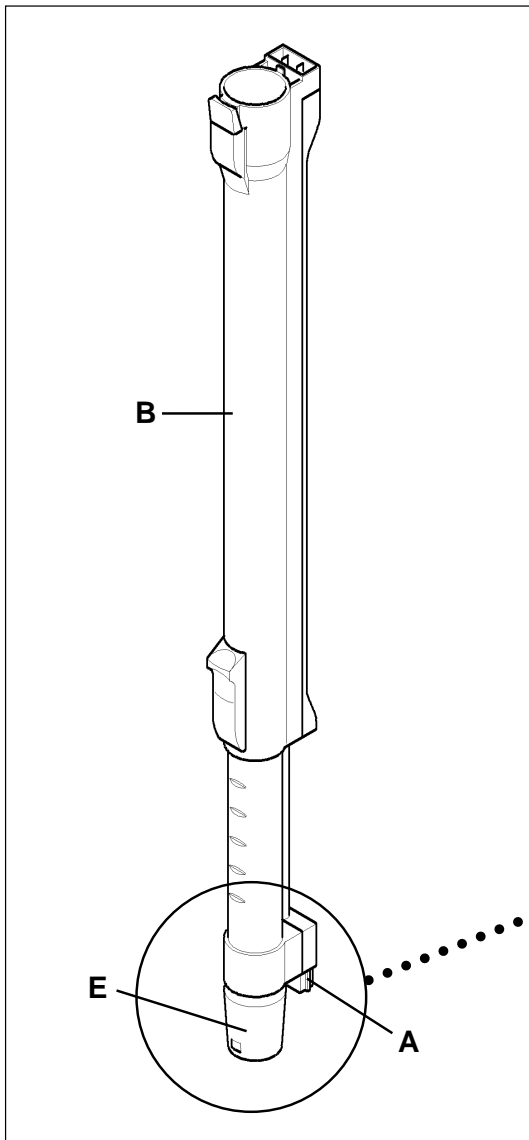
The control panel is located on the top side of the power head.





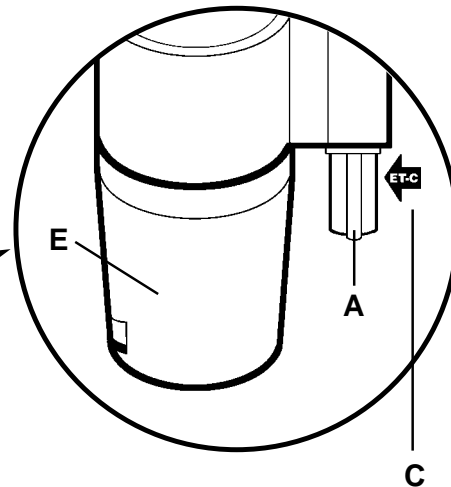
Identification of Parts

1. Power head
2. Brush information panel
3. Swivel neck
4. Connection plug
5. Foot pedal
6. Brush strip cover
7. Telescopic Tube release button



Attaching the Power Head to the Telescopic Tube of your SEBO C3.1 or K3 Vacuum

1. Find the connection tab (A) at the base of the telescopic tube (B).
2. Move the connection tab (A) IN toward the tube (C). See enlarged detail below. It will only move approximately 1/8-inch. Proceed to step 3.
3. Insert the base of the telescopic tube (E) into the power head swivel neck (3). Make sure that the connection tab (A) is properly aligned with the connection plug (4) in the swivel neck. Damage to the connection may occur if the tab and the plug are not properly aligned.



Operating Instructions

Starting The Machine - Figures 1 & 2

A. Before turning on your canister, make sure that the vacuum handle is in its upright locked position (figure 1).

1. With the canister main power switch in the OFF position, and the power control slider on the handle (#8, figure 2) in the OFF position, pull the power cord out from the base of the canister (see canister owner's manual). The power cord should be unwound from the cable reel at least two thirds of its length.
2. Plug the polarized power cord into a 120 volt outlet located near the floor.
3. Press the main power switch on the base of the canister gently with your foot or hand.
4. Slide the Power Control Slider (#8, figure 2) to the ON position (the slider will "click" when it is pushed out of the OFF position). It will then slide freely between 0 suction and MAX suction. Set the slider to the suction desired. Release the foot pedal (#5, figure 3).

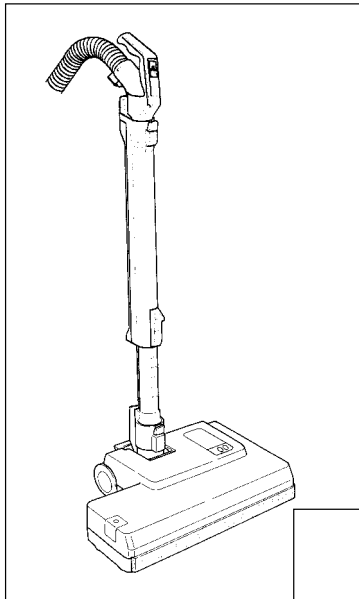


Figure 1

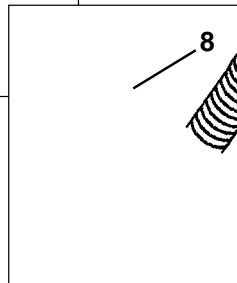


Figure 2

Switch Position -
#8, Figure 2

0 = Zero Suction
MAX = Maximum Suction

ON position - Slide the slider down toward 0 suction till it "clicks" out of position.

OFF position - Pull the slider up to 0 suction then continue pulling the slider up until it "clicks" into the OFF position.

Operating The Machine - Figure 3

B. When the power head is switched on with the handle in the upright locked position (see figure 1 above), the brush roller will not spin. To release the power head from the upright locked position, press down on the foot pedal (#5, figure 3) and lower the handle into the normal operating position. The brush roller will then start spinning and the green light on the power head will illuminate.

The handle can be lowered to a horizontal position useful for vacuuming under beds.

You may adjust the suction control with the power control slider as you vacuum different surfaces or when using the accessory tools. For optimal cleaning and brushing, operate the machine at the maximum suction power setting and push the power head slowly over the carpet.

When the canister's main power switch is in the ON position, you may turn the power head off and on with the power control slider (#8, figure 2). To turn the power head off using the power control slider, pull the slider to 0 suction, then continue pulling the slider up until it "clicks" into the OFF position.

Always turn the power off on both the canister and the power head when changing heads or unplugging the vacuum. Slide the power control slider on the power head to its OFF position, press the main power switch on the base of the canister gently with your foot or hand, then unplug the canister to completely shut down the power when changing heads or storing the vacuum. Hold the plug while rewinding the cord onto the cord reel. Avoid letting the plug whip while rewinding.

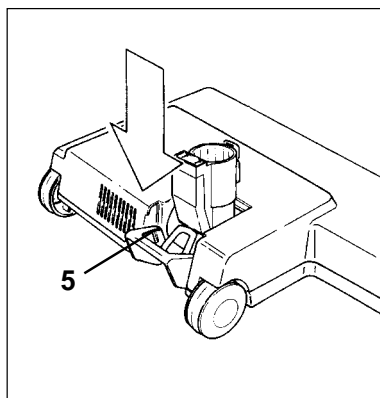


Figure 3



WARNING! The quality, condition, coating, texture, age and manufacturing technique of all floor surfaces vary. Therefore, vacuums with rotating brushes, including your SEBO, may damage some floor coverings or surfaces. Some types of high-gloss hardwood floors, cushion vinyl, berber carpets, long shag, and delicate or hand-woven carpets are particularly vulnerable to damage by rotating brushes. When possible, consult the materials supplied by your flooring manufacturer for information on proper upkeep and cleaning. **To ensure that your new SEBO vacuum cleaner is compatible with your floor, please test the vacuum cleaner on each type of flooring surface in a small inconspicuous area to determine if any damage occurs. If damage occurs, stop using the vacuum cleaner immediately!**

The Brush Information Display Panel - *Figure 4*

The control panel is located on the power head.

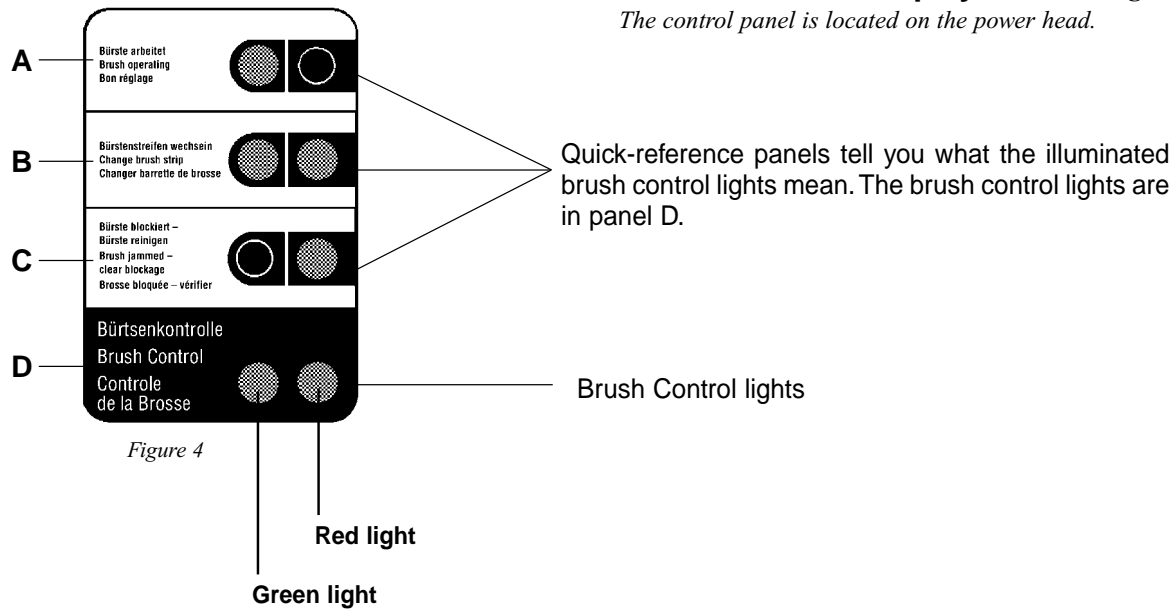


Figure 4

BRUSH CONTROL LIGHTS (Panel D) and what they indicate:		
Green light only	Brush is functioning correctly.	(reference Panel A)
Green and Red lights illuminated	Reduced brush action because: Brush strip is worn. OR Brush doesn't find enough resistance; for example, when lifted from the floor or used on hard floors.	(reference Panel B)
Red light only	Power brush is jammed.	(reference Panel C)
No lights	Machine is powered off. OR Machine is on, and the handle is in its upright locked position; the brush is not spinning.	

For more information on the display panel, see page 4.

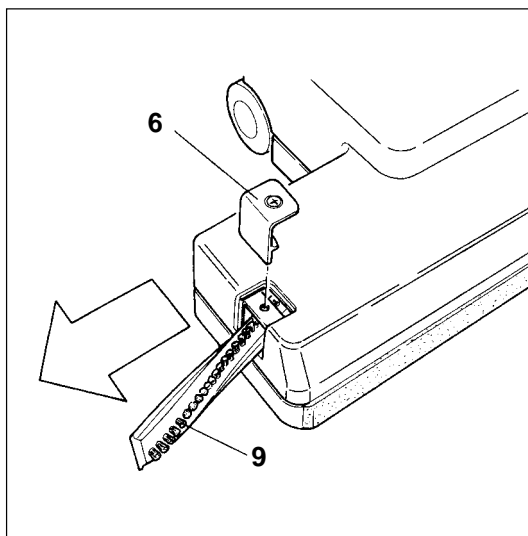


Figure 5

Replacement Brush Strip
Part # 2046

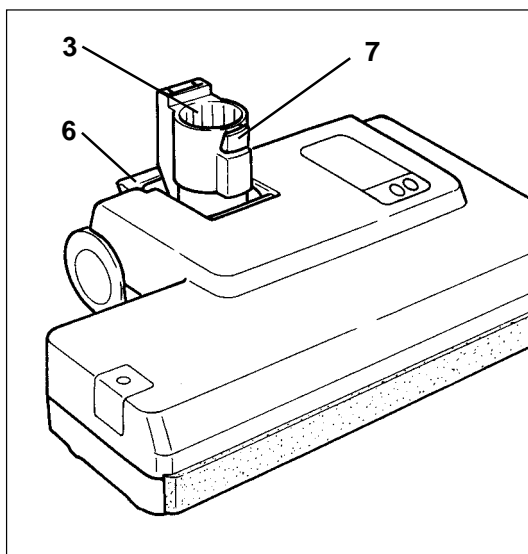


Figure 6

Maintenance



Always unplug vacuum from outlet before dismantling any part of machine!

Changing the Brush Strip - *Figure 5*

To change the brush strip, open the brush strip cover (6) by unscrewing the attachment screw using a phillips-type screwdriver and lifting the cover. Rotate the brush until the end of the brush strip (9) shows in the opening. Pull the brush strip out using your fingers, or use pliers to grasp the edge of the brush strip and pull it out.

To insert the new brush strip, rotate the roller until the brush strip slot is visible at the opening. Insert the base of the new strip into the slot and push it all the way in. You may help guide the strip in by grasping the strip on the underside of the power head and pulling it along the roller. Close the brush strip cover and replace the screw.

Cleaning the Brush Strip

Unplug the vacuum before attempting to clean the brush. The brush should be cleaned regularly. Fibers and hair can be pulled out of the brush while manually rotating the roller, or the brush strip can be removed from the power head to clean it.

Clog Removal



Always unplug vacuum from outlet before removing any clogs!

Clogs in the Swivel Neck - *Figure 6*

To check for a clog in the swivel neck, remove the telescopic tube by pressing the release button (7). Pull the tube out of the swivel neck. Then, release the foot pedal (6), lower the swivel neck, check inside the swivel neck channel, and clean out pathway.

For clogs not in the power head, please refer to your canister vacuum's manual.

Trouble-Shooting Guide



Always unplug vacuum from outlet before dismantling any part of the machine!

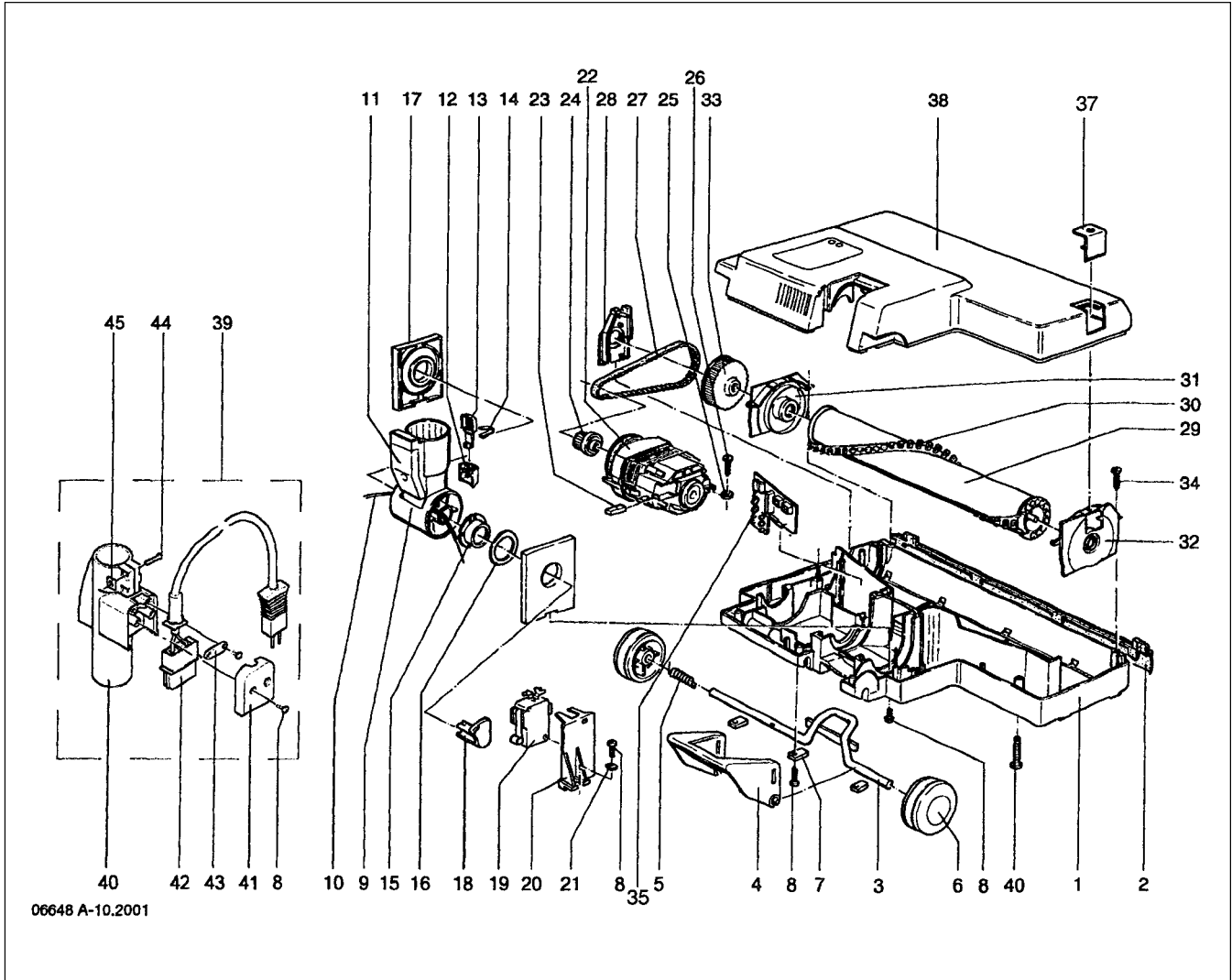
PROBLEM	REASON	SOLUTION
Does not turn on	1. Telescopic tube not inserted properly.	1. See page 5.
	2. Not plugged into good outlet.	2. Use another outlet.
	3. Cable worn.	3. Replace cable.
	4. The power control slider switch is set to "0" ("off" position).	4. Slide the power control slider switch to "on" position.
Red light is on & machine shuts off	1. Brush roller is jammed.	1. Remove brush roller obstruction. See page 8.
	2. Airflow pathway is clogged.	2. Remove clog. See page 8.
	3. Overload shut down from excessively deep but loose carpet pile (e.g., long shag carpet).	3. If carpet pile is too deep and loose, then use a "shag rake" attachment instead of the ET-C power head.
Red and green lights are both on	1. Brush worn.	1. Replace brush strip. See page 8.
	2. Reduced brush action.	2. Brush is not fully in contact with the floor.
No lights are illuminated	1. Machine is in upright locked position and roller is shut off.	1. Release the foot pedal and lower the telescopic tube to operating level. See page 6.
Does not pick up	1. Telescopic tube tube not inserted properly.	1. See page 5.

Check your C3.1 or K3 canister user's manual for more trouble-shooting problems and solutions.



SEBO ET-C Power Head

Schematic and Parts List



06648 A-10.2001

Pos.	Part #	Description	Pos.	Part #	Description
1	2002 DG	Chassis	23	05095 S	Carbon brush set / brush motor
2	2007 DG	Bumper	24	2025	Motor pulley
3	2009	Axle	25	2566	Motor mounting
4	2911 DG	Foot pedal	26	0174	Screw C 3.9 x 22 DIN 7981
5	2010	Axle spring	27	2049	Drive belt
6	2614 DG	Wheel	28	2079 DG	Bearing plate
7	2014	Axle clamp	29	2030 ER	Brush assembly, cpl.
8	0102	Screw F 3.9 x 12 DIN 7981	30	2046	Brush strip
9	6145 UL	Swivel neck assembly	31	2091	Bearing block, l.h.
10	6146 UL	Male contact holder	32	2047	Bearing block, r.h.
11	6137 HG	Swivel neck cover	33	2458	Brush roller pulley
12	1738 HG	Cap	34	0103	Screw C 3.9 x 16 DIN 7981
13	1737 HG	Release button	35	2584 ER	P.C. board, 120 V
14	1739	Leaf spring	36	2482 HG	Powerhead cover
15	2467	Plastic bearing inside	37	2058	Brush strip cover
16	0155	Washer	38	0110 TL	Screw AM 5 x 25 DIN 7985
17	2466	Swivel neck support	39	2780 AM	Adapter 32 mm
18	2452	Switch lever	40	2781 DG	Adapter 32 mm
19	0531	Micro switch for swivel neck	41	2782 DG	Cover for adapter
20	2453	Micro switch support	42	2784	Mains cable
21	0141	Locking washer	43	1030 UL	Cable clamp
22	2241 ER	Brush motor 120 V	44	0117	Screw AM 4 x 12, DIN 84
			45	0131	Nut M4, ST, DIN 562



SEBO Vacuum Cleaner Warranty

Three Years Non-Wear Parts - One Year Labor

1. Your authorized SEBO dealer or SEBO will provide the original product purchaser with replacement of Non-Wear Parts which fail due to a material or workmanship defect for a period of three (3) years from the original date of purchase of new product.
2. Your authorized SEBO dealer or SEBO will repair (or SEBO will cover labor charges associated with repair) a defective SEBO power head at no cost to the original purchaser, within one (1) year of original purchase of new product.
3. SEBO America, Floor Care Equipment, Ltd., or an authorized SEBO dealer must complete all warranty repairs.
4. To locate an authorized SEBO dealer in your area, or to register a warranty claim in the **United States of America, please call SEBO America at (800) 334-6614.**
5. To locate an authorized SEBO dealer or to register a warranty claim in **Canada, please call Floor Care Equipment, Ltd. at (800) 661-8687.**
6. The warranties provided for above apply exclusively to SEBO power heads which are used residentially. No warranty is provided for SEBO power heads used commercially.
7. The Wear Parts excluded from warranty coverage include the brush strip, the front bottom plate and the rear bottom plate.
8. This warranty applies only while your SEBO power head is physically located within the United States of America and its territories or Canada.
9. The purchase receipt showing the date, price, and item of purchase is the initial document of proof of purchase and determines the validity of warranty. To be certain that your warranty claim can be processed as quickly and efficiently as possible, please retain your original purchase receipt and mail in the warranty card provided with your new SEBO power head or vacuum cleaner.
10. This warranty gives you specific legal rights. You may also have other legal rights, which vary from state/province to state/province.
11. SEBO America will not process nor will it accept responsibility for warranty claims for machines purchased from dealers located in Canada. Floor Care Equipment, Ltd. will not process nor will it accept responsibility for warranty claims for machines purchased from dealers located in the United States.

EXCLUSIVE REMEDY:

The remedies provided under the terms of this Warranty are the purchaser's exclusive remedies and are in lieu of any other remedies otherwise available.

THE WARRANTY DOES NOT COVER:

- Used or secondhand products.
- Products outside of the warranty period.
- Items not manufactured by SEBO.
- Normal maintenance service.
- Equipment damaged by improper use, accident, other casualty or negligence.
- Machines equipped with nonauthorized attachments or modifications.
- Machines on which the serial number has been altered or removed.

LIMITATIONS AND EXCLUSIONS:

SEBO MAKES NO OTHER REPRESENTATIONS OR WARRANTIES, EXPRESSED OR IMPLIED AND SPECIFICALLY EXCLUDES THE IMPLIED WARRANTIES OF MERCHANTABILITY AND FITNESS FOR A PARTICULAR PURPOSE.

SEBO WILL NOT BE LIABLE FOR INCIDENTAL OR CONSEQUENTIAL DAMAGES OF ANY KIND OR NATURE.

THIS DISCLAIMER OF IMPLIED WARRANTIES SHALL NOT APPLY TO THE EXTENT SAID DISCLAIMER IS NOT ALLOWED BY APPLICABLE STATE/PROVINCIAL LAW.

To contact SEBO in the United States of America:

SEBO America, LLC
Telephone: (800) 334-6614 • (303) 792-9181
Fax: (303) 792-9196
E-mail: info@sebo-vacuums.com
Website: www.sebo.us

To contact SEBO in Canada:

Floor Care Equipment, Ltd.
Telephone: (800) 661-8687 • (403) 250-5005
Fax: (403) 250-5057
E-mail: fcequip@shaw.ca